



Graber Layered Shades

US Price Guide

January 2026

LAYERED SHADES

Product Information Guide

Features

Layered Shades, Features and Benefits	2
Fabric Styles and Information	3 – 4
Light Control and Privacy, Fabric Recommendations, Light Gap, Fabric Disclaimers, Cleaning and Care Information	
Fabric Certifications	5

Size Considerations

Mounting Depth Illustrations: Square Cassette	6
Mounting Depth Illustrations: Round Cassette	7
Maximum Shade Size: Continuous Loop and Enclosed Loop Lift	8 – 10
Maximum Shade Size: Cordless Lift	11

Options

Shade Options, Projection Brackets	12
Motorized Lift	13
UltraLite Cordless Lift	13
Continuous Loop Lift, Enclosed Loop Lift	14
Corner Windows, Adjacent Shadings	15
Bay Windows	16

General Information

UltraLite Cordless Lift Product Detail	17
Continuous Loop Lift Product Detail	18
Enclosed Loop Lift Product Detail	19
Color Coordination Charts	20–21

PLEASE NOTE:

Photos and illustrations are for inspiration only.
Not all product configurations are available in all countries.

Window blind cords are a strangulation hazard for young children. Consult your dealer or store associate for cordless products, or products with inaccessible cords. Remove this product immediately if a cord longer than 22 cm, or a loop exceeding 44 cm, becomes accessible.

VEUILLEZ NOTER :

Les photos et les illustrations ne sont offertes qu'à titre d'inspiration. Toutes les configurations de produits ne sont pas disponibles dans tous les pays.

Les cordons pour store de fenêtre représentent un risque d'étranglement pour les jeunes enfants. Consultez votre dépositaire ou un associé de magasin pour des produits sans cordon ou des produits dont les cordons ne sont pas accessibles.

Retirez ce produit immédiatement si un cordon mesurant plus de 22 cm de longueur ou une boucle dépassant 44 cm deviennent accessibles.

GRABER®

OCTOBER 2025

Summary of Revisions

OCTOBER 2025	
Page 2	Updated Features table adding square cassette
Page 5	Updated UltraLite Cordless inside mount light gap to $1\frac{1}{16}$ " each side ($+1/8$ " each side) to reduce fabric fraying
Page 6	Added Size Considerations page for square cassette
Page 13	Updated UltraLite Cordless Lift image to include square cassette
Page 14	Updated Continuous Loop Lift image to include square cassette
Page 17	Updated diagram to include square cassette for UltraLite Cordless Lift product detail
Page 18	Updated diagram to include square cassette for Continuous Loop Lift product detail

Features

Layered Shades

- Dual layers of horizontal fabric segments alternating between sheer and semi-opaque or opaque fabric
- When open and the vanes are aligned, light filters through the sheer fabric
- Shades control the amount of incoming light and the view-through with the shade partially raised or lowered

Features	Benefits
Motorized Lift	<ul style="list-style-type: none"> • Window treatments can be operated from virtually anywhere in the home • Easily operate hard-to-reach or large window coverings • Operate multiple window treatments simultaneously or individually • Choose from six hem bar colors <ul style="list-style-type: none"> • Hem bar color selected is also used for cassette end caps
UltraLite Cordless Lift	<ul style="list-style-type: none"> • Cordless design allows you to precisely place your shade the first time every time • UltraLite system and seamless fabric means whisper-quiet performance • Lift and lower your layered shade with a feather light touch • Flawless performance and provide a safe environment for kids and pets • Choose from six hem bar colors <ul style="list-style-type: none"> • Hem bar color selected is also used for cassette end caps
Continuous Loop Lift (U.S. ONLY)	<ul style="list-style-type: none"> • Cord and clutch system makes raising and lowering shade easy • Cord remains at same length, regardless of shade position • Choose left or right cord location • Color coordinated cords • Choose from six hem bar colors <ul style="list-style-type: none"> • Hem bar color selected is also used for cassette end caps and cord guide
Enclosed Loop Lift (Canada ONLY)	<ul style="list-style-type: none"> • Set and secure shade in any position • Choose left or right lift location • Three loop cover options to coordinate with your desired style • Choose from six hem bar colors <ul style="list-style-type: none"> • Hem bar color selected is also used for cassette end caps
Fabric-Wrapped Cassette	<ul style="list-style-type: none"> • Fabric-wrapped cassette (standard) creates a cohesive appearance in the window • Now comes in 3 sizes and 2 profiles (round and square) to enable you to have shades for your desired sized windows. Sizes are: Small (Continuous Loop and Enclosed Loop Lift and Motorization Only), Medium, and Large (Cordless Only)
Warranty	<ul style="list-style-type: none"> • Limited lifetime warranty and five-year warranty on motorization components

Features

Fabric Styles and Information

Style Name	Color Name	Opacity/Privacy/ Light Control	Oeko-Tex® Certified	Fire Retardant Rated	Green Guard Certified	Band Size
Atlantic Waves	Aqua	Light Filtering	•	No	No	Small
	Monsoon					Small
	Ocean Stone					Small
	Sandstone					Small
	Sunrise					Small
Washed Blues	Small					
Beachside	Cove Gray	Light Filtering	No	No	•	Small
	Sea Salt					Small
	Cliffside					Small
Bernina	Birch Bark	Light Filtering	•	•	No	Small
	Mussel Shell					Small
	Shale					Small
	Tuxedo					Small
Coastal Collection	Crème	Light Filtering	•	No	No	Small
	Lava Rock					Small
	Washed Sandstone					Small
Coastal Ridge	Conch Shell	Light Filtering	•	No	•	Small
	Hushed Indigo					Small
	Nightfall					Small
	Sand Dollar					Small
	Seagull					Small
Cordillera	Flax	Light Filtering	•	•	No	Small
	Lily White					Small
Cottonwood	Arbor	Light Filtering	•	No	No	Small
	Cattails					Small
	Lakeside					Small
	Marina					Small
Crestones	Buff	Light Filtering	•	No	No	Small
	Essential White					Small
Culebra	Lace	Light Filtering	•	•	No	Small
	Lotus					Small
Glorieta	Proclamation	Transparent	•	•	No	Small
	Cityscape					Small
Glorieta Sheen	Icicle	Transparent	•	No	No	Small
	Ivory					Small
Glorieta Sheen	Glisten	Transparent	•	No	No	Small
	Zinc					Small
Heathered	Almond	Room Darkening	•	No	•	Extra Large
	Biscotti					Extra Large
	Creamy Cocoa					Extra Large
	Gentle Gray					Extra Large
	Light Caramel					Extra Large
Smoked Oyster	Extra Large					
Herard	Mercury	Light Filtering	•	No	No	Small
	Silversmith					Small
Linen Dream	Clamshell	Room Darkening	•	No	•	Extra Large
	Modern Khaki					Extra Large
	Oat Field					Extra Large
	Sifted Sand					Extra Large
	Soft Coal					Extra Large
Oceanfront	Pink Sand	Light Filtering	•	No	No	Small
	Sea Grass					Small
	Sea Stone					Small
	Tidal Wave					Small

Features

Fabric Styles and Information

Style Name	Color Name	Opacity/Privacy/ Light Control	Opaque Band Size	Oeko-Tex® Certified	Fire Retardant Rated	Green Guard Certified	Band Size
Palmetto	Seaspray	Light Filtering	Small	•	No	No	Small
Papyrus	Charcoal	Transparent	Extra Large	•	No	•	Extra Large
	Gray Dusk						Extra Large
	Natural White						Extra Large
	Soft Ivory						Extra Large
Riptide	Blue Topaz	Light Filtering	Small	•	No	No	Small
	Boardwalk						Small
	Dunes Grass						Small
	Sunset						Small
	Volcanic Ash						Small
Seascape	Cypress	Light Filtering	Small	•	No	No	Small
	Deep Sea						Small
	Driftwood						Small
Seaside Resort	Manta Ray	Light Filtering	Small	•	No	No	Small
	Saltstone						Small
	Treasure Island						Small
Spascape	Natural Linen	Transparent	Small	No	No	No	Small
	Rattan						Small
	Restful Rain						Small
Vanoise	Arctic Fox	Light Filtering	Small	•	No	No	Small
	Kodiak						Small
	Polar						Small
	Tusk						Small

	Band Size		
	Small	Large	Extra Large
Dimensions	2.76 - 3.07" (70 - 78 mm)	3.94" (100 mm)	4.72" (120 mm)

NOTE: All fabric composition consists of 100% polyester except Coastal Ridge (64.4% Polyester, 35.6% Rayon) and Linen Dream (94.2% Polyester, 5.8% Linen).

Features

Light Control and Privacy

Sheer: Allows the most amount of light into the room for a minimum amount of privacy and a view to the outside. Objects in the room can be seen quite clearly through shades.

Privacy level: moderate

Light Filtering*: Allows light to gently filter through and provides privacy. Images and shapes may be seen through these shades, but details are not visible. Deep fabric colors provide moderate light control, while light colors provide lower light control. **Privacy level:** moderate

*These fabrics are translucent and their colors may be influenced by changing light conditions. Colors may appear to vary depending upon the time of day and type of lighting, as well as whether the shade is partially or fully lowered. For side-by-side layered shades, request stripe alignment at the time of order

Room Darkening*: Allows some light to filter into the room and provides privacy. Objects in a lit room seen through these shades appear as vague shapes. Deep fabric colors darken a room; light colors filter and diffuse bright sunlight.

Privacy level: complete

Light Gaps: For optimal light and glare control, outside mount is recommended, or you may add a secondary soft window treatment (drapery or curtain) to hide the light gap on an inside mount. **Privacy level:** moderate

Fabric Recommendations

Order all shades for the same room at the same time to ensure color consistency and to minimize dye lot variation. For side-by-side layered shades, request stripe alignment. Stripes can be aligned to within ¼".

NOTE: Shades must be ordered at the same time with the same fabric style and height.

Light Gap

The fabric width is narrower than the finished shade width of the tube and its components. See chart below for light gap.

	Control End	Idle End
Control Type	Inside Mount (inches)	Inside Mount (inches)
Continuous Loop Lift (U.S. Only)	1	¾
Enclosed Loop Lift (Canada Only)	1	¾
UltraLite Cordless	1½/16	1½/16
Motorized Lift	1½/16	¾



Inside Mount Light Gap
Refer to Light Gap Chart

Fabric Disclaimers

Due to the nature of the weaving process, some imperfections in the weave are normal. Fabric appearance can vary based on changing light conditions in the room.

Cleaning and Care Information

Regular light dusting with a feather duster, vacuum with low suction, or a hairdryer on a cool temperature.

Fabric Certifications

Oeko-Tex® Standard 100 certifies that our fabrics are free of PVC, halogen, lead, formaldehyde, allergenic dyes, pesticides, phenols, heavy metals, and meet all VOC content limits.

oeko-tex.com

Oeko-Tex is a registered trademark of the Oeko-Tex Association.



Size Considerations

Mounting Depth Illustrations

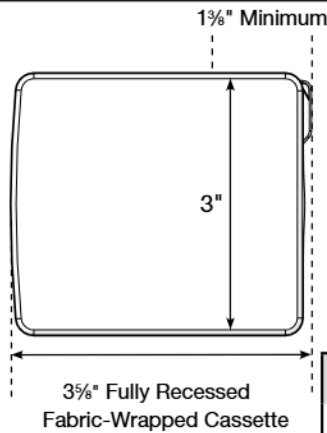
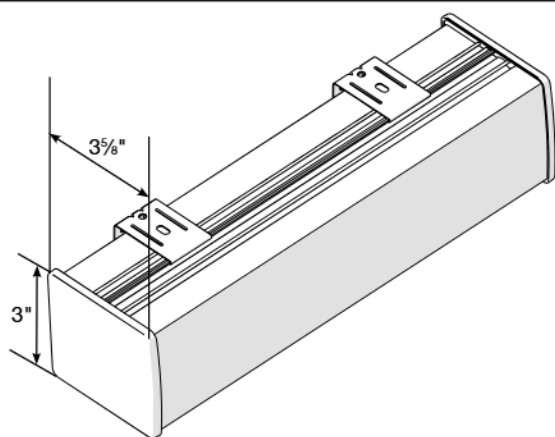
The following diagram illustrates the mounting depth requirements for shades mounted inside window casements.

Continuous Loop, Enclosed Loop, and Motorized Lift includes small cassettes.

Cordless Lift includes Medium and Large cassettes.

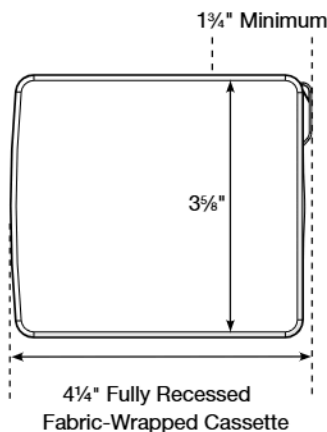
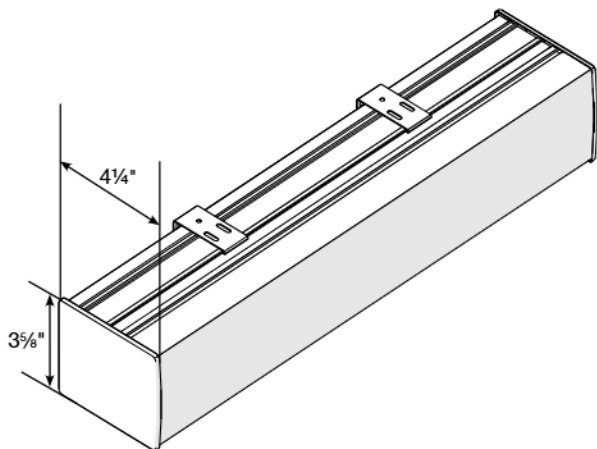
NOTE: Cassette sizes are determined by lift system and specific fabric requirements.

Small Square Cassette (Continuous Loop, Enclosed Loop, and Motorized Lift Only)



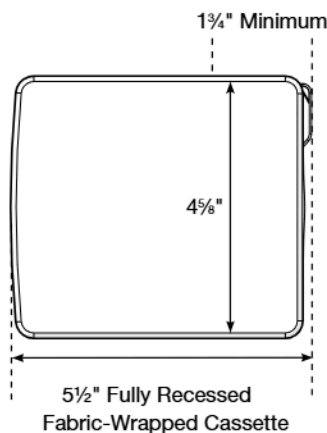
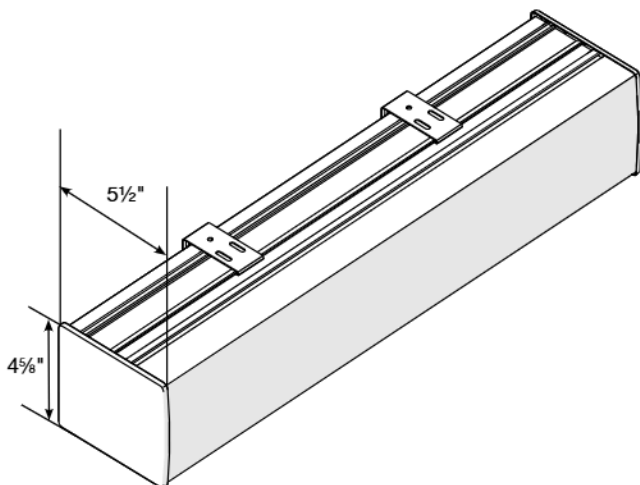
Minimum Mounting Depth	1 1/8"
Flush Mount Depth	3 5/8"

Medium Square Cassette (Cordless Only)



Minimum Mounting Depth	1 1/4"
Flush Mount Depth	4 1/4"

Large Square Cassette (Cordless Only)



Minimum Mounting Depth	1 1/4"
Flush Mount Depth	5 1/2"

Size Considerations

Mounting Depth Illustrations

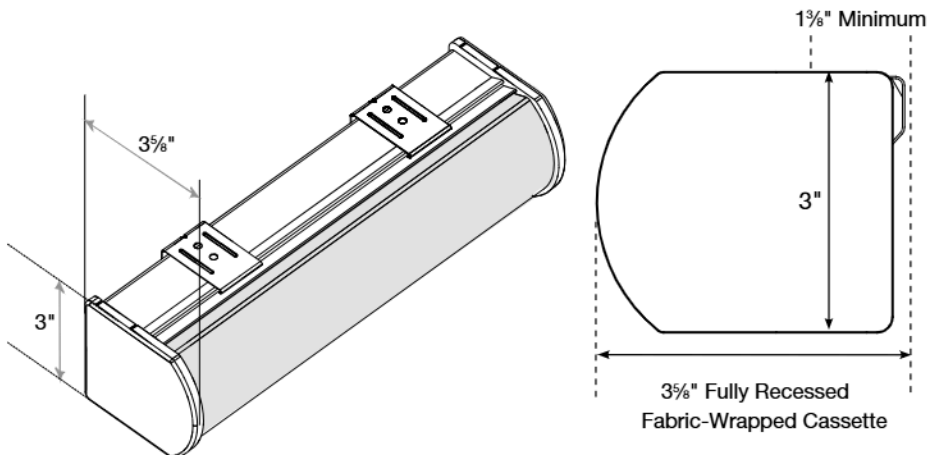
The following diagram illustrates the mounting depth requirements for shades mounted inside window casements.

Continuous Loop, Enclosed Loop, and Motorized Lift include small cassettes.

Cordless Lift includes Medium and Large cassettes.

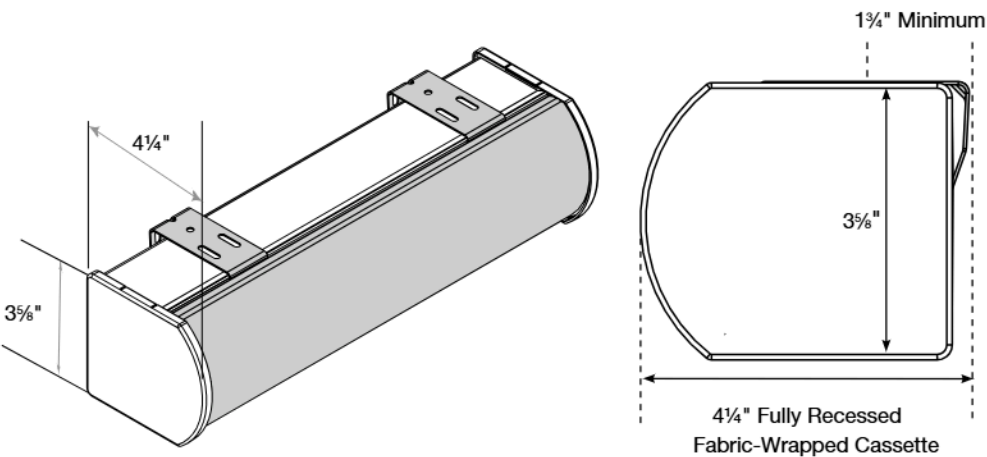
NOTE: Cassette sizes are determined by lift system and specific fabric requirements.

Small Round Cassette (Continuous Loop, Enclosed Loop, and Motorized Lift Only)



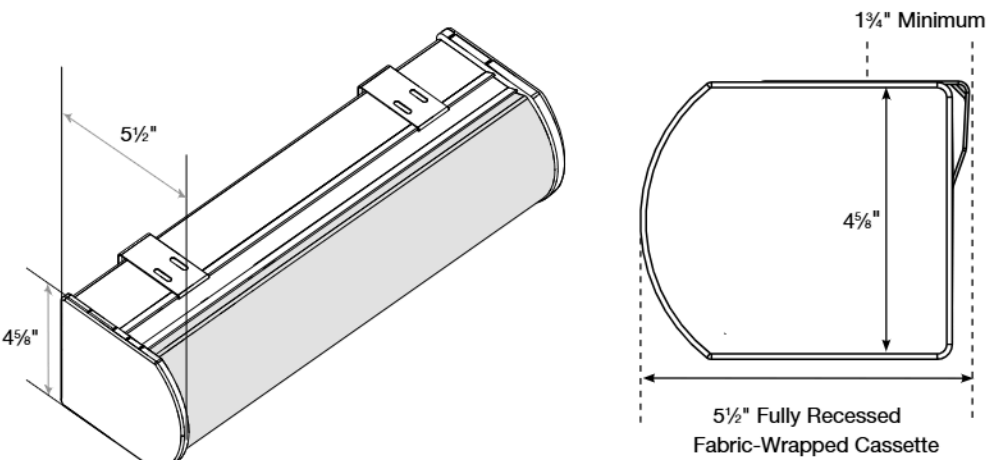
Minimum Mounting Depth	1 3/8"
Flush Mount Depth	3 5/8"

Medium Round Cassette (Cordless Only)



Minimum Mounting Depth	1 1/4"
Flush Mount Depth	4 1/4"

Large Round Cassette (Cordless Only)



Minimum Mounting Depth	1 1/4"
Flush Mount Depth	5 1/2"

Size Considerations

Maximum Shade Size: Continuous Loop and Enclosed Loop Lift

NOTE: Shaded areas are available for order.

Minimum width: 12"

Minimum length: 12" all control types

For sizes within the next size break, please reach out to customer service or enter order into ordering system to confirm if size is available to order.

Fabric: Atlantic Waves		Width up to (in.)												
up to (in.)	24	30	36	42	48	54	60	66	72	78	84	90	96	102
24														
30														
36														
42														
48														
54														
60														
66														
72														
78														
84														
90														
96														
102														
108														
110														

Fabric: Bermina		Width up to (in.)												
up to (in.)	24	30	36	42	48	54	60	66	72	78	84	90	96	102
24														
30														
36														
42														
48														
54														
60														
66														
72														
78														
84														
90														
96														
102														
108														
110														

Fabric: Coastal Collection		Width up to (in.)												
up to (in.)	24	30	36	42	48	54	60	66	72	78	84	90	96	102
24														
30														
36														
42														
48														
54														
60														
66														
72														
78														
84														
90														
96														
102														
108														
110														

Fabric: Coastal Ridge		Width up to (in.)												
up to (in.)	24	30	36	42	48	54	60	66	72	78	84	90	96	102
24														
30														
36														
42														
48														
54														
60														
66														
72														
78														
84														
90														
96														
102														
108														
110														

Fabric: Cordillera		Width up to (in.)												
up to (in.)	24	30	36	42	48	54	60	66	72	78	84	90	96	102
24														
30														
36														
42														
48														
54														
60														
66														
72														
78														
84														
90														
96														
102														
108														
110														

Fabric: Cottonwood		Width up to (in.)												
up to (in.)	24	30	36	42	48	54	60	66	72	78	84	90	96	102
24														
30														
36														
42														
48														
54														
60														
66														
72														
78														
84														
90														
96														
102														
108														
110														

Fabric: Crestones		Width up to (in.)												
up to (in.)	24	30	36	42	48	54	60	66	72	78	84	90	96	102
24														
30														
36														
42														
48														
54														
60														
66														
72														
78														
84														
90														
96														
102														
108														
110														

Fabric: Culebra		Width up to (in.)												
up to (in.)	24	30	36	42	48	54	60	66	72	78	84	90	96	102
24														
30														
36														
42														
48														
54														
60														
66														
72														
78														
84														
90														
96														
102														
108														
110														

Size Considerations

Maximum Shade Size: Continuous Loop and Enclosed Loop Lift

NOTE: Shaded areas are available for order.

Minimum width: 12"

Minimum length: 12" all control types

For sizes within the next size break, please reach out to customer service or enter order into ordering system to confirm if size is available to order.

Fabric: Glorietta & Glorietta Sheen

up to (in.)	Width up to (in.)													
	24	30	36	42	48	54	60	66	72	78	84	90	96	102
24														
30														
36														
42														
48														
54														
60														
66														
72														
78														
84														
90														
96														
102														
108														
110														

Fabric: Heathered

up to (in.)	Width up to (in.)													
	24	30	36	42	48	54	60	66	72	78	84	90	96	102
24														
30														
36														
42														
48														
54														
60														
66														
72														
78														
84														
90														
96														
102														
108														
110														

Fabric: Herard

up to (in.)	Width up to (in.)													
	24	30	36	42	48	54	60	66	72	78	84	90	96	102
24														
30														
36														
42														
48														
54														
60														
66														
72														
78														
84														
90														
96														
102														
108														
110														

Fabric: Linen Dream

up to (in.)	Width up to (in.)													
	24	30	36	42	48	54	60	66	72	78	84	90	96	102
24														
30														
36														
42														
48														
54														
60														
66														
72														
78														
84														
90														
96														
102														
108														
110														

Fabric: Oceanfront

up to (in.)	Width up to (in.)													
	24	30	36	42	48	54	60	66	72	78	84	90	96	102
24														
30														
36														
42														
48														
54														
60														
66														
72														
78														
84														
90														
96														
102														
108														
110														

Fabric: Palmetto

up to (in.)	Width up to (in.)													
	24	30	36	42	48	54	60	66	72	78	84	90	96	102
24														
30														
36														
42														
48														
54														
60														
66														
72														
78														
84														
90														
96														
102														
108														
110														

Fabric: Papyrus

up to (in.)	Width up to (in.)													
	24	30	36	42	48	54	60	66	72	78	84	90	96	102
24														
30														
36														
42														
48														
54														
60														
66														
72														
78														
84														
90														
96														
102														
108														
110														

Fabric: Seascape

up to (in.)	Width up to (in.)													
	24	30	36	42	48	54	60	66	72	78	84	90	96	102
24														
30														
36														
42														
48														
54														
60														
66														
72														
78														
84														
90														
96														
102														
108														
110														

Size Considerations

Maximum Shade Size: Continuous Loop and Enclosed Loop Lift

NOTE: Shaded areas are available for order.

Minimum width: 12"

Minimum length: 12" all control types

For sizes within the next size break, please reach out to customer service or enter order into ordering system to confirm if size if available to order.

Fabric: Riptide														
up to (in.)	Width up to (in.)													
	24	30	36	42	48	54	60	66	72	78	84	90	96	102
24														
30														
36														
42														
48														
54														
60														
66														
72														
78														
84														
90														
96														
102														
108														
110														

Fabric: Spascape														
up to (in.)	Width up to (in.)													
	24	30	36	42	48	54	60	66	72	78	84	90	96	102
24														
30														
36														
42														
48														
54														
60														
66														
72														
78														
84														
90														
96														
102														
108														
110														

Fabric: Seaside Resort														
up to (in.)	Width up to (in.)													
	24	30	36	42	48	54	60	66	72	78	84	90	96	102
24														
30														
36														
42														
48														
54														
60														
66														
72														
78														
84														
90														
96														
102														
108														
110														

Fabric: Vanoise														
up to (in.)	Width up to (in.)													
	24	30	36	42	48	54	60	66	72	78	84	90	96	102
24														
30														
36														
42														
48														
54														
60														
66														
72														
78														
84														
90														
96														
102														
108														
110														

Options

Shade Options (for surcharges and pricing refer to price charts)

Below is a list of options for layered shades. All options are available in all styles and colors. See detailed descriptions on the following pages.

Control Type Options

- Continuous Loop Lift (U.S. ONLY)
- Enclosed Loop Lift (Canada ONLY)
- Motorized lift (see motorization product information guide)

Shade Options—No Charge

- Bay and corner windows
- Shroud length (must specify different length)
- Lift location
- Projection brackets 3¼" and 4"
 - 3¼" projection brackets add up to 2⅛" extension from wall
 - 4" projection brackets add up to 2⅞" extension from wall

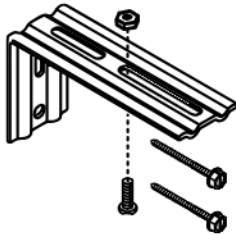
Shade Options—Surcharge

- UltraLite Cordless Lift
- Motorization (see motorization product information guide)
- Palladian window shelf (see cornice, valance, and palladian window shelf product information guide)

Cassette Profiles—No Surcharge

- Round
- Square

Projection Brackets



- No charge
- Available for all lift systems
- Two sizes: 3¼" and 4"
- 3¼" projection brackets add up to 2⅛" extension from wall
- 4" projection brackets add up to 2⅞" extension from wall

Options

Motorized Lift



- See motorization product information guide for accessories, additional options, sizing, and pricing
- In the down position, the shade will be closed
- Allows for easy operation of hard-to-reach or large window coverings
- Efficiently manages energy (heat gain and loss)
- Motorized shades are cordless and a safer choice for homes with children or pets
- Low-voltage motorization requires no costly electrical hardwiring
- Available with various power and control options; refer to the motorization product information guide for available options
- Motor located on the left or right side; standard on the right
- Window treatments can be operated from virtually anywhere in the home
- Easily operate hard-to-reach or large window coverings
- Operate multiple window treatments simultaneously or individually
- Outside mount is recommended for maximum light control

NOTE: Motorization components and accessories have a five-year limited warranty, excluding batteries.



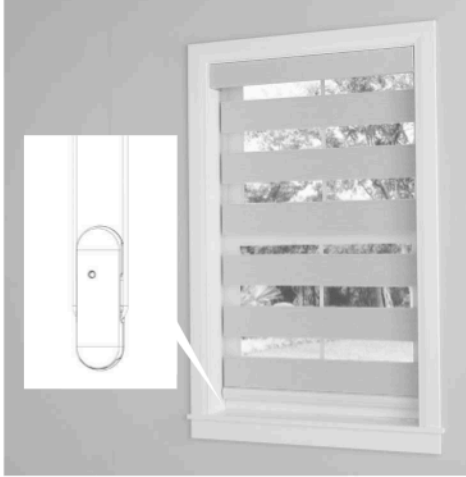
UltraLite Cordless Lift



- For surcharge, see price charts
- Cordless design allows you to precisely place your shade the first time every time
- UltraLite system and seamless fabric means whisper-quiet performance
- Lift and lower your layered shade with a feather light touch
- Flawless performance and provide a safe environment for kids and pets
- Choose from six colors of hem bar
 - Hem bar color selected is also used for cassette end caps
- Shade is spring loaded on each end and will self-center when installed
- Outside mount is recommended for maximum light control

Options

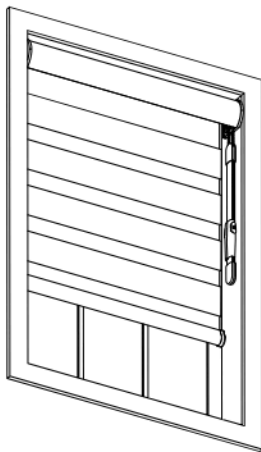
Continuous Loop Lift (U.S. ONLY)



- **Standard**
- Cord loop and clutch system makes raising and lowering shade easy
- Special cord loop length must be requested at time of order
- Cord remains at same length regardless of shade position
- Color coordinated cord loop and cord guide
- Safety cord guide provides the ability to keep the cord out of the reach of children and pets to enhance safety
- Choose left or right cord location
- Outside mount is recommended for maximum light control

NOTE: Cord tensioner must be installed to operate shade

Enclosed Loop Lift (Canada ONLY)

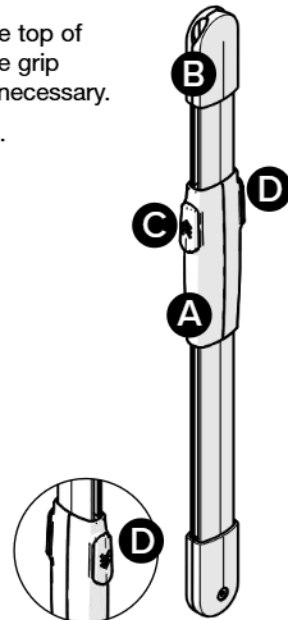


- Smooth and simple operation
- Set and secure shade in any position
- Simply hold button of the direction you wish shade to move on handle, then pull handle down the length of the cord-cover to change shade position
- Elegant, appearance without long, dangling cords
- Increased safety for children and pets
- Available in a full range of sizes for any window: 18, 24, 36, 48, 60, 72, 84 inches
- Cover available in White, Cream and Gray
- Outside mount is recommended for maximum light control

NOTE: Enclosed Loop Lift must be installed to operate shade

Shade Operation

- To raise your shade using the enclosed loop lift system, move the plastic grip (A) to the top of the loop cover (B). Hold down the up-arrow button (C), while simultaneously pulling the grip down. Once at the bottom, release the button, reset the grip at the top and repeat as necessary.
- To lower your shade, hold the down-arrow button (D) and follow the same instructions.
- Be sure to only push one button at a time.



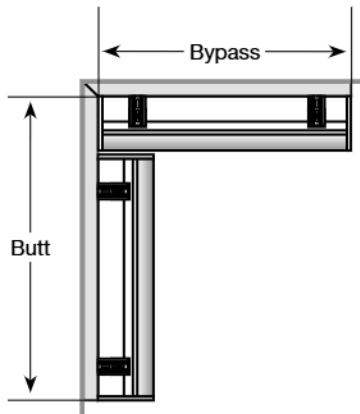
Options

Corner Windows



Shades on Corner Windows

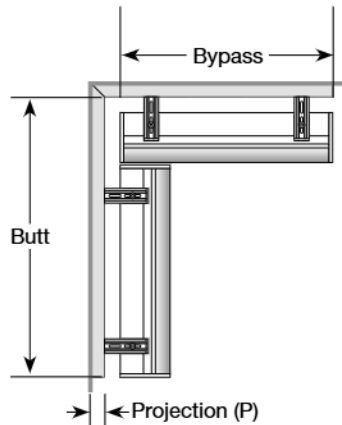
- No charge
- Made as individual shades
- Each shade will have its own control; we recommend opposite corners
- Indicate for each shade whether butt or bypass
- Bypass shade is mounted into the corner; butt shade is butted to the other shade
- Manufacturer will take appropriate deductions for proper fit; DO NOT order as a corner shade if you do not want manufacturer to take deductions



Measuring Information

Mounting on a Wall or Molding:

Measure the width of each window from the corner on the mounting surface (molding or wall) to the point you would like to cover.



Mounting Above the Molding:

Measure the width of each window from the corner on the mounting surface to the point you would like to cover.

Projection measurement is the distance needed to clear any molding or obstructions that the shade will be mounted above.

NOTE: The projection (P) distance is needed to correctly calculate deductions for installations where the shades will use shims or projection brackets to clear molding. All projection distances must match for correct deductions to be calculated.

Adjacent Shadings

To cover wide window openings, shadings may be installed adjacently so ends of the cassette headrail touch. The gap between the fabric panels of the adjacent shadings varies according to the control placement as shown in the table.

Control Placement for Adjacent Shades				
Control Placement		Gap		
Left Shade Control	Right Shade Control	Continuous Loop Lift (inches)	Enclosed Loop Lift (inches)	UltraLite Cordless Lift (inches)
Right	Right	1¼	1¼	1
Left	Left	1¼	1¼	1
Right	Left	2	2	1
Left	Right	1½	1½	1

Side-by-Side Alignment

Stripe alignment to within ¼" is available upon request only for shades ordered at the same time with the same fabric color and height. Add note in special instructions. To ensure best results, the combined shade width should be 102" or less.

Options

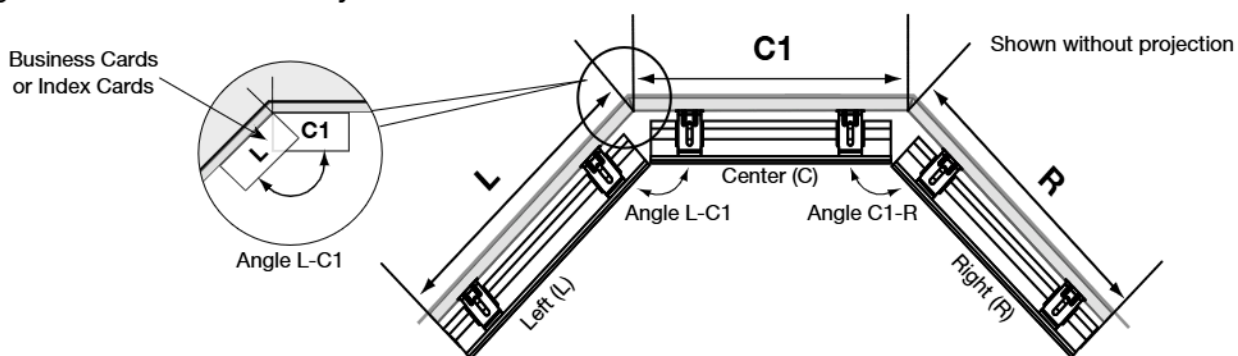
Bay Windows



Shades on Bay Windows

- No charge
- Made as individual shades
- Each section will have its own control
- Manufacturer will take appropriate deductions for proper fit; DO NOT order as a bay window shade if you do not want manufacturer to take deductions

Measuring Information: Three-Sided Bay Window



Measure:

L and R: Width of each side window from the corners on the mounting surface to the point you would like to cover.

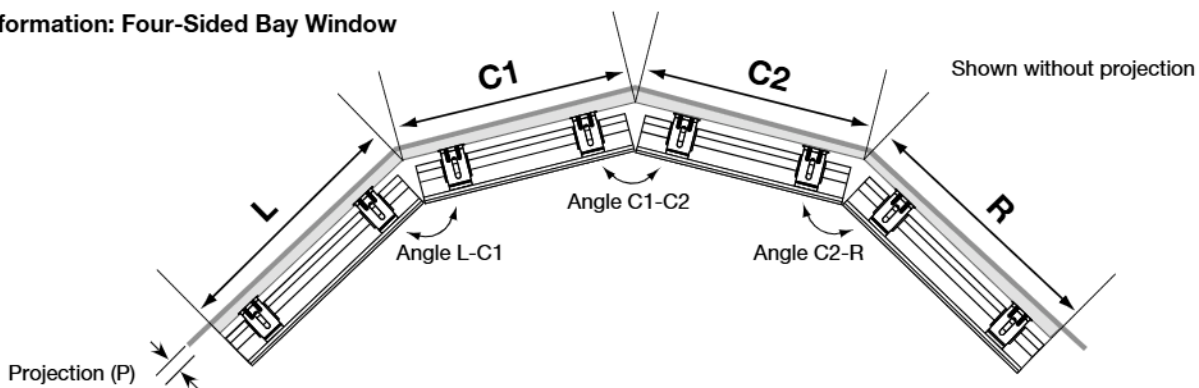
C1: Width of the center window on the mounting surface from corner to corner.

Angle L-C1: Angle between the (L) and (C1) windows.

Angle C1-R: Angle between the (C1) and (R) windows.

Projection: If needed: the depth of the trim or molding the shade will be mounted above.

Measuring Information: Four-Sided Bay Window



L and R: Width of each side window from the corners on the mounting surface to the point you would like to cover.

C1, C2: Width of each center window on the mounting surface from corner to corner.

Angle L-C1: Angle between the (L) and (C1) windows.

Angle C1-C2: Angle between the (C1) and (C2) windows.

Angle C2-R: Angle between the (C2) and (R) windows.

Projection (P): If needed: the depth of the trim or molding the shade will be mounted above.

NOTE: The projection (P) distance is needed to correctly calculate deductions for installations where the shades will use shims or projection brackets to clear trim or molding. All projection distances must match for correct deductions to be calculated. For additional windows on bays with up to five sides continue with number progression for center shade sizes (C1, C2, C3, ...) and angles (angle C1-C2, angle C2-C3, ...) as needed. Measure each bay angle using a protractor or angle finder or use two business cards in each bay corner as illustrated above, trace on paper, and fax to customer service.

The angle to use between adjacent center bay windows along a straight section of wall is 180° (degrees).

General Information

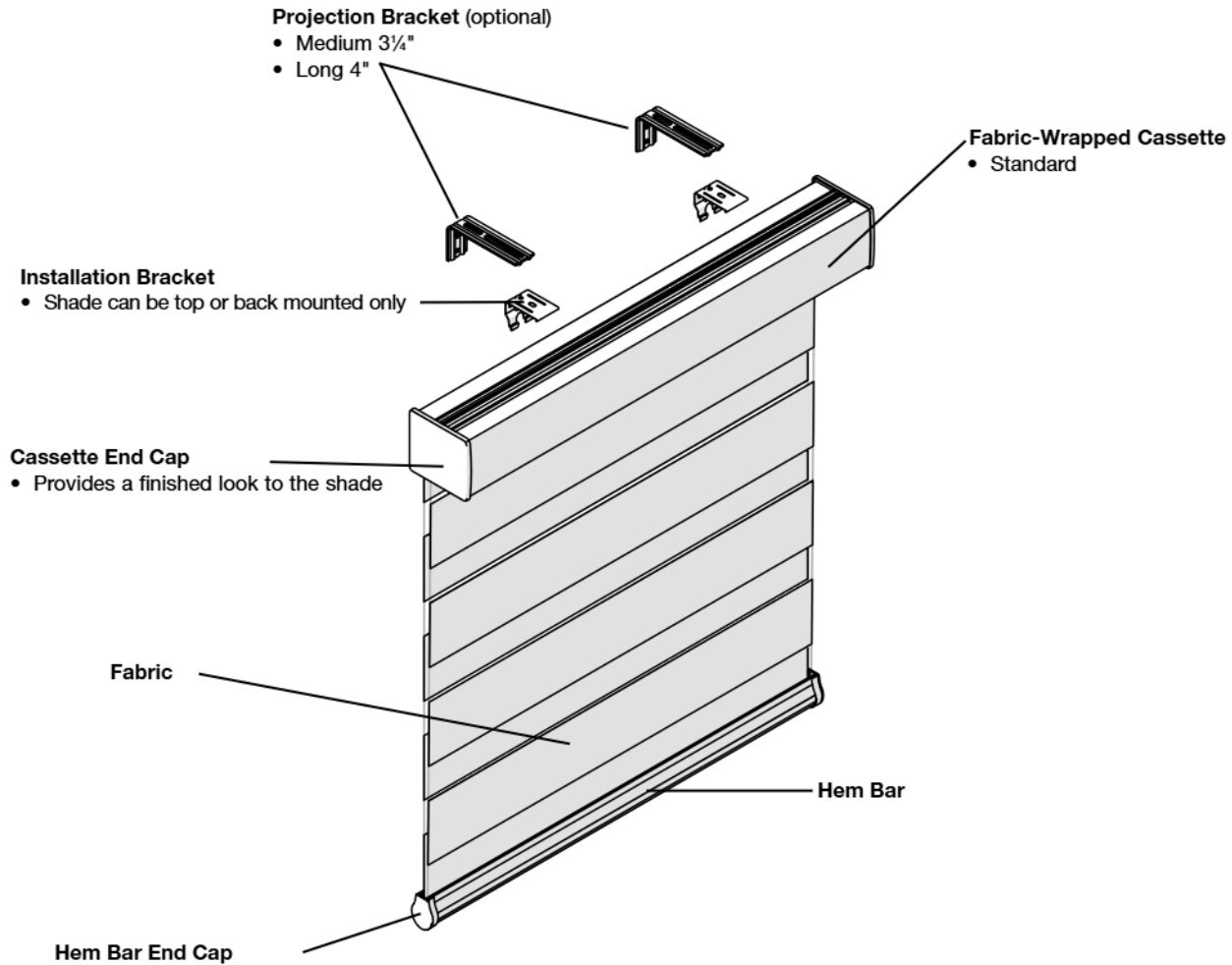
Shade Operation

Light is controlled with layers of fabric alternating between sheer and semi-opaque or opaque horizontal fabric stripes.

Open View

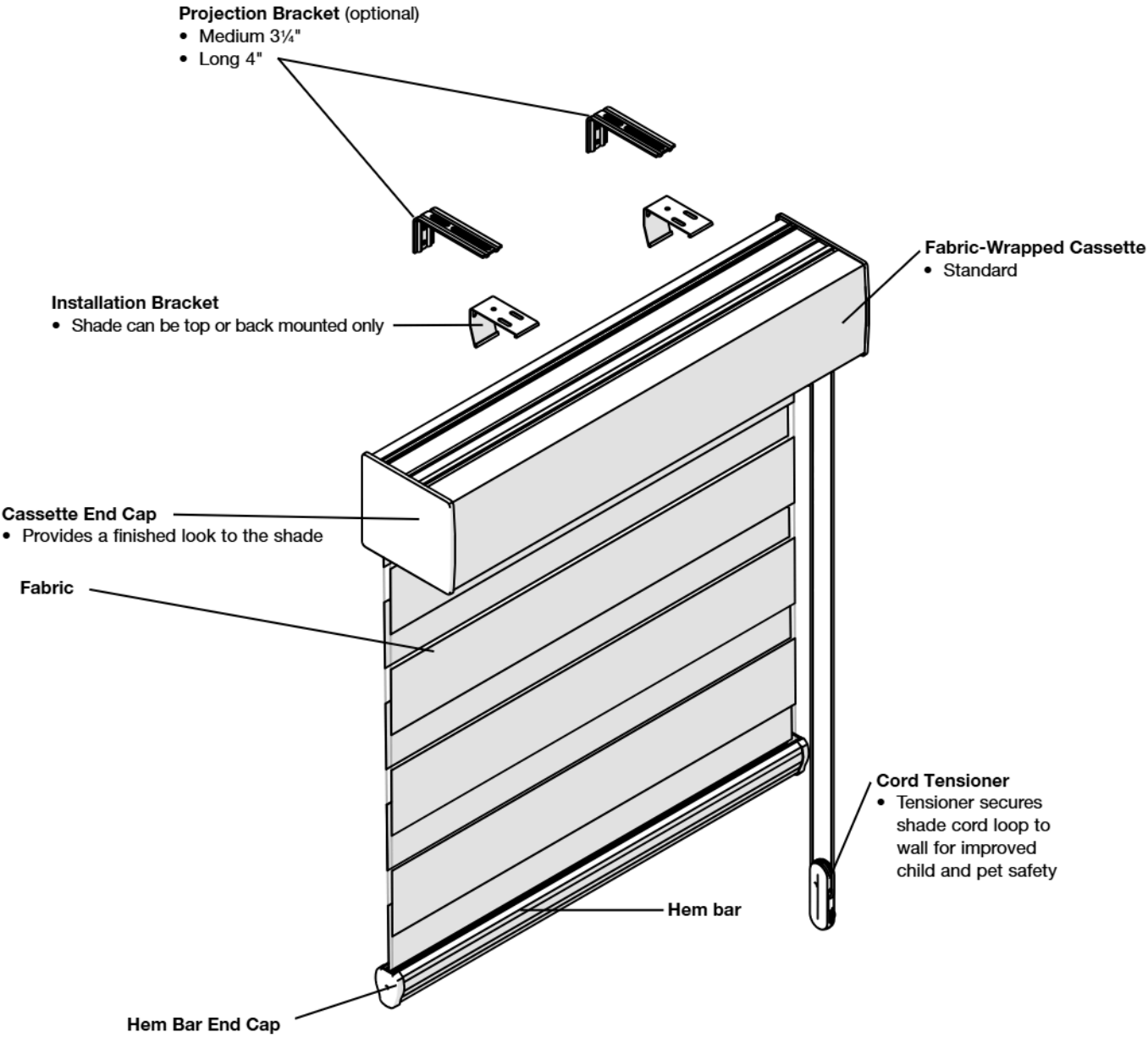
Align the opaque stripes to filter light and provide a view to the outside.

UltraLite Cordless Lift Product Detail



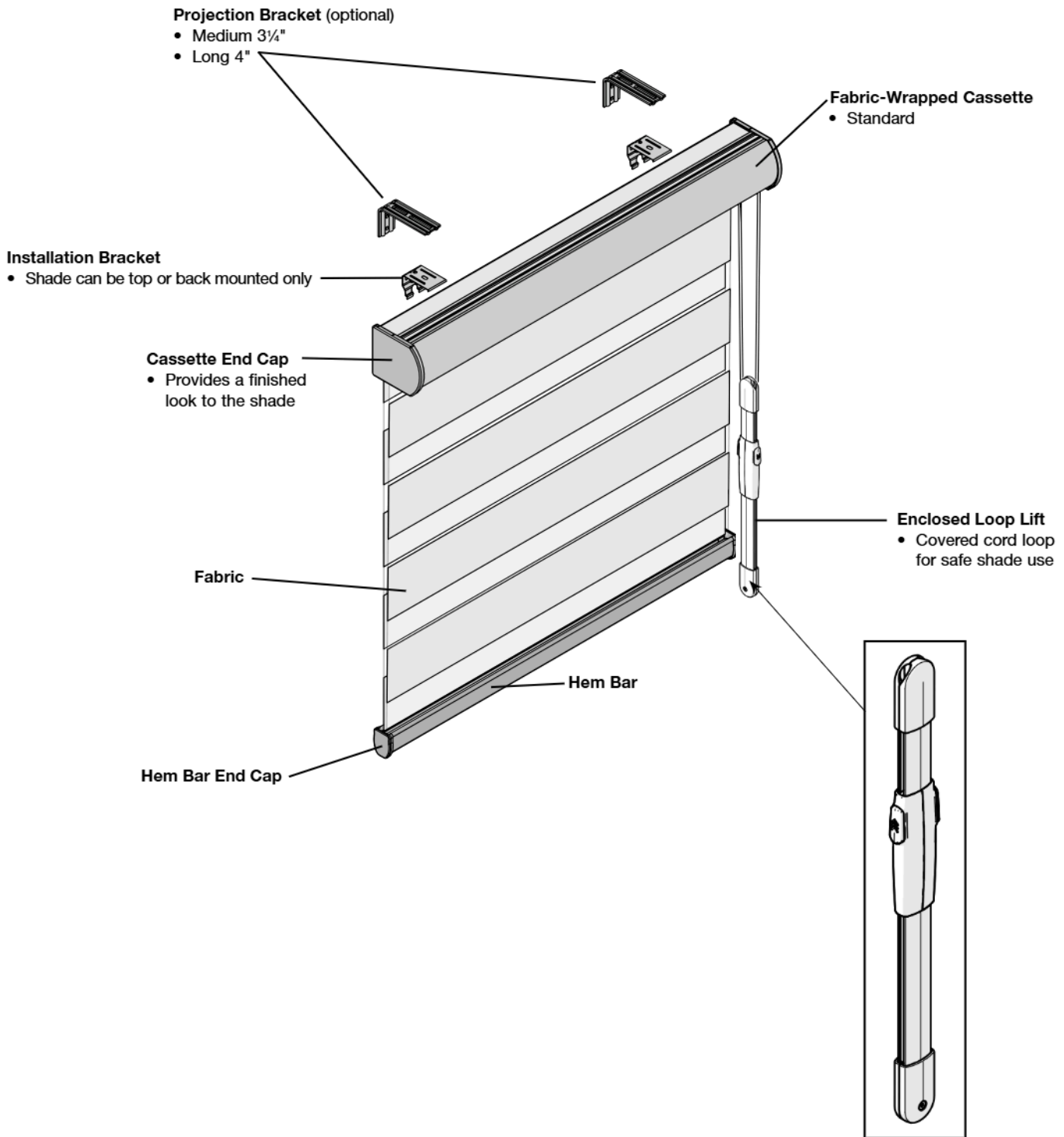
General Information

Continuous Loop Lift Product Detail (U.S. ONLY)



General Information

Enclosed Loop Lift Product Detail (Canada ONLY)



General Information

Color Coordination Charts

Color coordination is shown for informational purposes only.

Style	Color Name	Hem Bar Color	Continuous Loop Lift
Atlantic Waves	Aqua	Black Satin	Pitch Black
	Monsoon	Cream	Bamboo
	Ocean Stone	Classic Gray	Smokey Gray
	Sandstone	Sand	Tuscany
	Sunrise	Cream	Bamboo
Beachside	Washed Blues	Classic Gray	Smokey Gray
	Cliffside	Sand	Tuscany
	Cove Gray	Classic Gray	Smokey Gray
Bernina	Sea Salt	Cream	Bamboo
	Birch Bark	White Satin	Bamboo
	Mussel Shell	Coffee	Cocoa
	Shale	Black Satin	Pitch Black
Coastal Collection	Tuxedo	Black Satin	Pitch Black
	Crème	Cream	Bamboo
	Lava Rock	Classic Gray	Smokey Gray
	Washed Sandstone	Cream	Bamboo
Coastal Ridge	Conch Shell	Cream	Bamboo
	Hushed Indigo	Cream	Bamboo
	Nightfall	Black Satin	Pitch Black
	Sand Dollar	Cream	Bamboo
	Seagull	Cream	Bamboo
Cordillera	Flax	Sand	Tuscany
	Lily White	Cream	Bamboo
Cottonwood	Arbor	Black Satin	Pitch Black
	Cattails	Black Satin	Pitch Black
	Lakeside	Black Satin	Pitch Black
	Marina	Black Satin	Pitch Black
Crestones	Buff	Sand	Tuscany
	Essential White	White Satin	Bamboo
	Lace	White Satin	Bamboo
Culebra	Lotus	White Satin	Bamboo
	Proclamation	Cream	Bamboo
Glorieta	Cityscape	Classic Gray	Smokey Gray
	Icicle	White Satin	Bamboo
	Ivory	Cream	Bamboo
Glorieta Sheen	Glisten	White Satin	Bamboo
	Zinc	White Satin	Bamboo
Heathered	Almond	Cream	Bamboo
	Biscotti	Classic Gray	Smokey Gray
	Creamy Cocoa	Coffee	Cocoa
	Gentle Gray	Classic Gray	Smokey Gray
	Light Caramel	Cream	Bamboo
	Smoked Oyster	Black Satin	Pitch Black
Herard	Mercury	Classic Gray	Smokey Gray
	Silversmith	Classic Gray	Smokey Gray
Linen Dream	Clamshell	Classic Gray	Smokey Gray
	Modern Khaki	Cream	Bamboo
	Oat Field	White Satin	Bamboo
	Sifted Sand	Classic Gray	Smokey Gray
Oceanfront	Soft Coal	Classic Gray	Smokey Gray
	Pink Sand	Classic Gray	Smokey Gray
	Sea Grass	Cream	Bamboo
	Sea Stone	Classic Gray	Smokey Gray
	Tidal Wave	Classic Gray	Smokey Gray
Palmetto	Seaspray	Classic Gray	Smokey Gray
Papyrus	Charcoal	Black Satin	Pitch Black
	Gray Dusk	Classic Gray	Smokey Gray
	Natural White	White Satin	Bamboo
	Soft Ivory	Cream	Bamboo

General Information

Color Coordination Charts

Color coordination is shown for informational purposes only.

Style	Color Name	Hem Bar Color	Continuous Loop Lift
Riptide	Blue Topaz	Classic Gray	Smokey Gray
	Boardwalk	Classic Gray	Smokey Gray
	Dunes Grass	Sand	Tuscany
	Sunset	Cream	Bamboo
	Volcanic Ash	Classic Gray	Smokey Gray
Seascape	Cypress	Black Satin	Pitch Black
	Deep Sea	Black Satin	Pitch Black
	Driftwood	Black Satin	Pitch Black
Seaside Resort	Manta Ray	Cream	Bamboo
	Saltstone	White Satin	Bamboo
	Treasure Island	Cream	Bamboo
Spascape	Natural Linen	White Satin	Bamboo
	Rattan	Classic Gray	Smokey Gray
	Restful Rain	Coffee	Cocoa
Vanoise	Arctic Fox	White Satin	Bamboo
	Kodiak	Coffee	Cocoa
	Polar	White Satin	Bamboo
	Tusk	Cream	Bamboo

Hem Bar Colors
Black Satin
Classic Gray
Coffee
Cream
Sand
White Satin

Continuous Loop Lift Cord Colors
Bamboo
Cocoa
Pitch Black
Smokey Gray
Tuscany

Continuous Loop Lift Lengths (inches)
18
24
36
48
60
72
84

Cord Tensioner Colors (U.S. Only)
White
Cream
Clear
*Consumer choice

Canada ONLY
Enclosed Loop Lift Colors
White
Gray
Cream
*Consumer Choice

Canada ONLY
Enclosed Loop Lift Lengths (inches)
18
24
36
48
60
72
84

NOTE: Certain components are only available in limited colors. Tensioner color must be selected for Continuous Loop Lift.

Control Lengths for Enclosed Loop	
Finished Blind Height (inches)	Enclosed Loop Cover Length (inches)
36	18
48	24
60	36
72	48
84	60
96	72
108±	84

NOTE: Enclosed Loop length in relation to the final shade length will vary between +/- 3 to 6 in. based on size of shade.